

## GLCG BUFFER/BARRIER FLUID SYSTEM

### Summary

GLCG Buffer/Barrier Fluid System is an automatic filling device for antifreeze isolation liquid. The whole set of devices is made of stainless steel. The outlet pressure and flow rate of the device can be precisely adjusted. It is widely used in petroleum, chemical industry, light industry, and other departments for filling isolation fluid in the instrument pressure leading pipeline.



### Operating Principle

Buffer/Barrier Fluid System is mainly composed of isolated fluid storage tank, level gauge, filter, metering pump and various valves, etc. The device is pressurized by metering pump to deliver the isolated fluid in the storage tank to the process device, to achieve antifreeze and cleaning effect and ensure the continuous and stable operation of the process device.

### Main Technical Parameters

Outlet Pressure: 0 ~ 5MPa, 0 ~ 8MPa, 0 ~ 10MPa, 0 ~ 16MPa

Outlet Flow Rate: 125L/h, 160L/h, 200L/h

Tank Capacity: 1.1 m<sup>3</sup>

Motor Power: 2.2kW、4kW

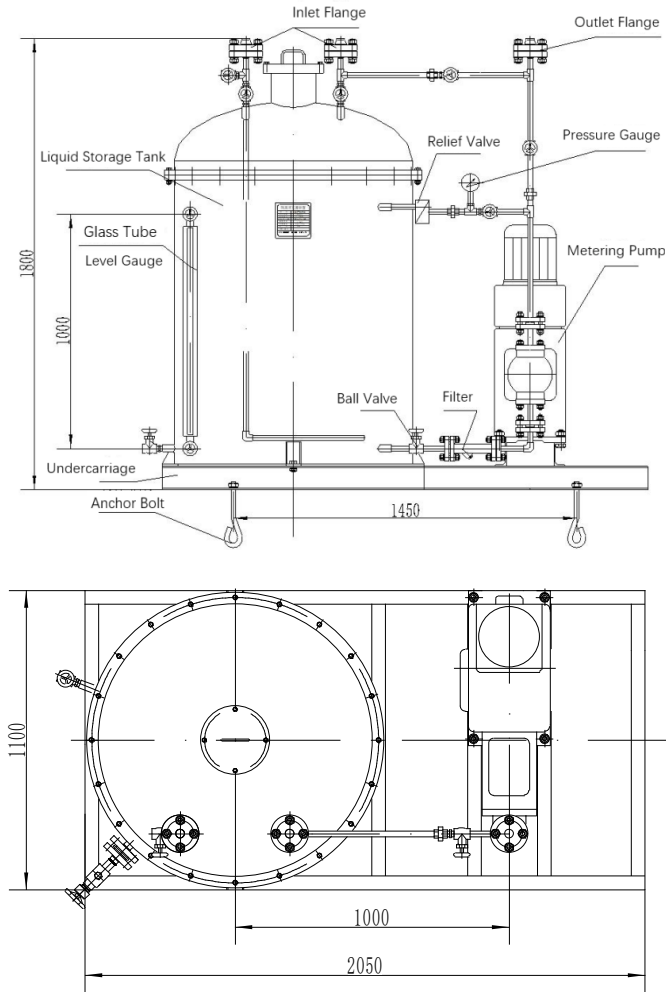
Power Supply: 380VAC 50Hz

System Material: 304

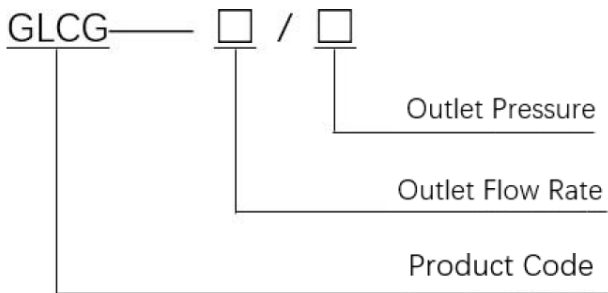
### Isolation Fluid Reference Data

Name	Specific Density	Freezing Point°C
Glycerol Aqueous Solution 50%	1.1295	-23
Ethylene Glycol	1.117	-12.6
Ethylene Glycol Aqueous Solution 50%	1.068	-35.00

### Outline Drawing for Dimensions



#### Product Model



#### Example

##### Product Code

1. GLCG-160/5, outlet flow rate is 160 L per hour, outlet pressure is 5 MPa.

2. GLCG-200/8, outlet flow rate is 200L per hour, outlet pressure is 8 MPa.

**Note: The capacity of the tank is 1.1m<sup>3</sup>.**

### Ordering Information

- Model Specification                      Outlet Pressure                      Outlet Flow Rate
- Inlet Flange Standard                      Outlet Flange Standard