

## UQK-300 FLOAT LEVEL SWITCH

### Summary

UQK(S)-300 Float Level Switch is suitable for petroleum, chemical, textile dyeing and finishing, and water treatment, etc, to control and alarm the fluid level or interface in various containers in the production process.

### Operating Principle

The UQK-300 Float Level Switch consists of magnetic float, measuring rod, reed switch, junction box, etc. Magnetic float moves up and down with the level change and reed switch operates at setting alarm position to control the alarm system alarming or the pump to start and stop.

### Operating Principle

- **Mounting type:** Top-mounted
- **Control length:** 0~6000mm
- **Accuracy:** ±10mm
- **Contact type:** SPDT
- **Contact capacity:** AC100VA,DC100VA (intrinsically safe type is only for 24V)
- **Max. voltage:** 250V
- **Max. current:** 1A
- **Nominal pressure:** ≤2.5MPa
- **Nominal diameter:** DN150, DN100
- **Ambient temperature:** -40℃~+80℃
- **Fluid temperature:** -20℃≤T≤+120℃
- **Fluid density:** For level:  $\rho \geq 0.65\text{g/cm}^3$
- **For interface:**  $\rho_1 - \rho_2 \geq 0.25\text{g/cm}^3$
- **Wetted material:** 304, 316L or on request
- **Flange standard:** HG/T20592-2009, HG/T20615-2009 or on request
- **Electrical connection:** M20×1.5 (Female thread) or on request
- **IP Rating:** IP66
- **Relative equipment:** Safety barrier (see safety barrier recommendation sheet)



### Model Selection Table

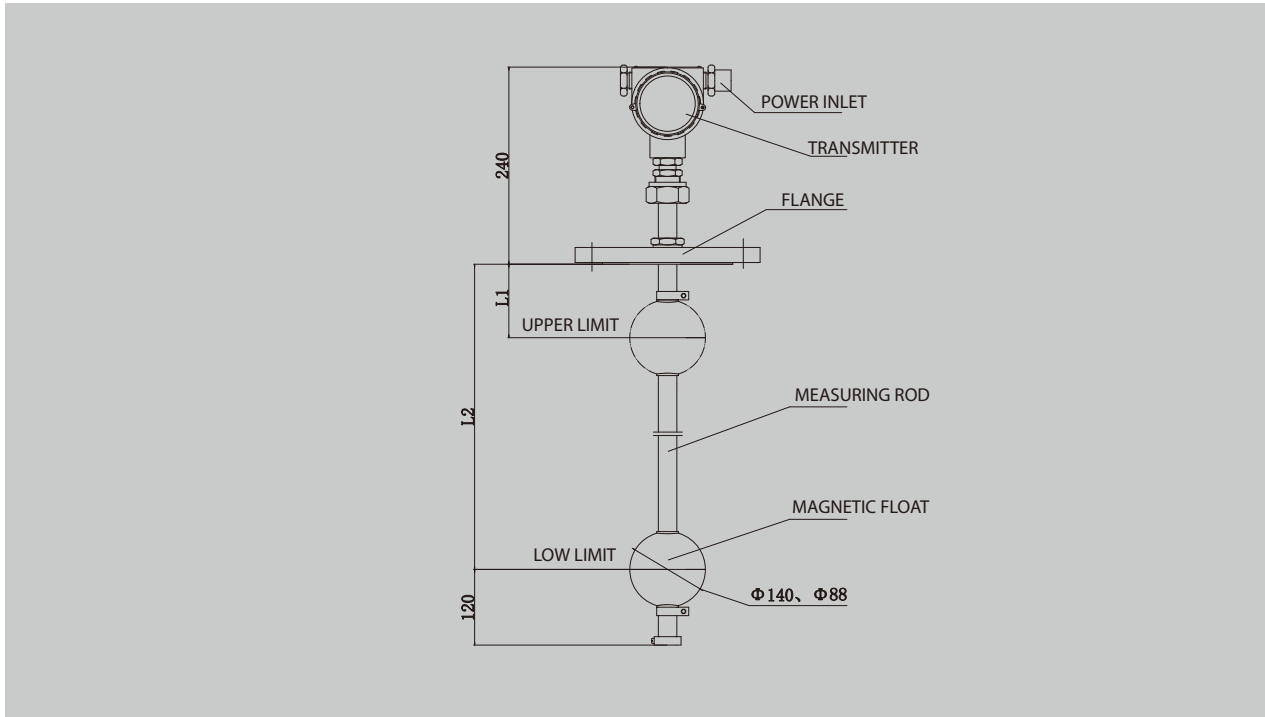
Model	Code							Content	
UQK-300								Float Level Switch	
	L1							Upper limit alarm	
	L2							Lower limit alarm	
	Y							Upper, lower limit alarm	
		-							
			*					Distance from upper alarm setting position to flange interface	
				-					
					*			Distance from lower alarm setting position to flange interface	
						-			
							*		
							d	Fluid density(g/cm <sup>3</sup> )	
							i	Explosion-proof	
UQK-300	<input type="checkbox"/>	-	<input type="checkbox"/>	-	<input type="checkbox"/>	-	<input type="checkbox"/>	<input type="checkbox"/>	Intrinsically safe

### Model Selection Table

UQK-300Y-300-1500-0.8d is UQK-300 Float Level Switch, upper and lower limit alarm, distance from upper alarm setting position to flange interface is 300mm, distance from lower alarm setting position to flange interface is 1500mm, fluid density is 0.8 g/cm<sup>3</sup> and explosion-proof required.

**Outline Drawing and Installation**

**1. Outline and structure sketch of UQK-300 Float Level Switch as follows.**



**2. Safety barrier recommendation sheet**

Dandong Top Electronics Instrument (Group) Co., Ltd	TP5041 – EX TP5045-EX
Shanghai Automation Instrument Institute	CS8041-EX CS8045-EX

**Ordering Information**

- Model      Fluid name      Operating pressure      Operating temperature
- Flange standard      Wetted material      Fluid density      The number and position of alarm
- Other special requirements